



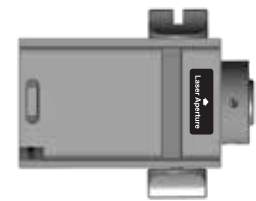
USER MANUAL

RMLSR

ITEM#6081



Laser Aperture



QUALITY GUARANTEE

This product is guaranteed against all defects in workmanship and materials for the original owner for one year from the date of purchase. Damage to or failure of the flashlight or any component thereof due to alteration, misuse, battery leakage or lack of maintenance will void any and all guarantees. Damage by leakage of batteries should be taken up with the manufacturer of the battery using their damage claim instructions. For any additional information call 1-800-255-6061.

DISTRIBUTED BY iProtec®
A Division of Alliance Sports Group, L.P.
3025 N. GREAT SOUTHWEST PKWY
GRAND PRAIRIE, TX 75050
www.iprotec.com

CALIFORNIA REQUIRED WARNING
Cancer and Reproductive Harm
www.P65Warnings.ca.gov/product

The Exporting or Re-Exporting of U.S. Controlled items without proper approval from the U.S. State or Commerce Departments is strictly prohibited.

All copyrighted and copyrightable materials, including, without limitation, the logo, design, text, graphics, pictures, copywriting and the selection and arrangement ("Materials") thereof are ALL RIGHTS RESERVED Copyright © 2018 Alliance Sports Group.

U.S. Patent: D700,674

This Laser Product is designated as Class 3R during all procedures of Operation.

- Wavelength: 650nm
- Laser Power for classification: <5mW CW

LASER LIGHT - AVOID DIRECT EYE EXPOSURE

CAUTION - use of controls or adjustments or performance of procedures other than those specified herein may result in hazardous radiation exposure.

DO NOT POINT LASER TO BE DIRECTED OR REFLECTED TOWARD OTHER PEOPLE OR REFLECTIVE OBJECTS. USE CAUTION AROUND FACE AND EYES.

IMPORTANT WARNINGS

Night hunting with artificial light may be prohibited or restricted in your state. Please check your state's game laws for clarification.

FAILURE TO READ AND FOLLOW THESE OPERATING INSTRUCTIONS AND WARNINGS WHEN HANDLING A FIREARM OR THIS PRODUCT CAN BE DANGEROUS AND CAN RESULT IN SERIOUS INJURY, DAMAGE TO PROPERTY, OR DEATH.

- Use of a firearm under any circumstance may be dangerous. SERIOUS INJURY OR EVEN DEATH may result without proper training in the safe handling of firearms. Proper training should be obtained from an accredited firearms safety program conducted by competent, qualified instructors in the military, police academies or National Rifle Association affiliated instruction programs.
- Read your firearm's manual before attaching your gun mounted laser.
- Never point a firearm at something you are not willing to destroy.
- iPROTEC recommends that this product should only be activated with the non-trigger hand while employing a two-hand grip on the firearm and with the trigger finger outside the trigger guard when possible. Failure to do so could result in an accidental discharge and serious injury, damage to property, or death.
- Thoroughly practice (employing safe training conditions) with this item and firearm before using the weapon in a tactical situation.

BEFORE ATTACHING, INSPECTING OR SERVICING A FIREARM-MOUNTED LASER

1. Engage the safety on the firearm if applicable.
2. Remove the magazine from the firearm if applicable.
3. Open the action and inspect the chamber to be sure it is empty.

IT IS IMPERATIVE THAT SAFETY MEASURES BE EMPLOYED AT ALL TIMES WHILE HANDLING THE FIREARM.

MAINTENANCE

If the laser stops working, replace the batteries as shown.
A drop of 3-in-1 oil on the mounting hinge can be added to ease movement.

There is no other scheduled maintenance or service that can be performed by the user. Other than battery replacement, this product must not be opened or modified by the user. If any repair or service is required, please return the product to Alliance Sports Group in accordance with the product warranty.

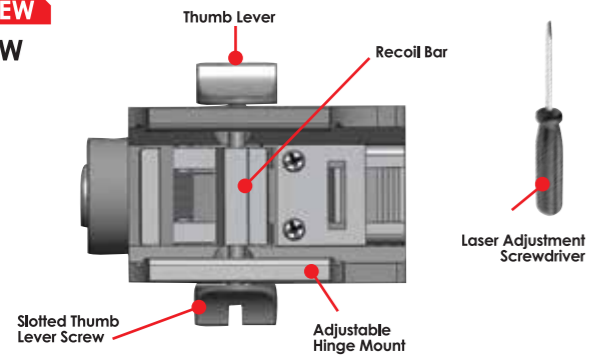
BATTERIES

WARNING: FIRE, EXPLOSION, BURN HAZARD.
USE ONLY: CR1/3N Batteries. Use of other batteries or mixing of used and new or different brand batteries may result in leakage, fire or explosion and serious personal injury. DO NOT recharge, misuse, short circuit, improperly store or discard, disassemble, or heat above 212°F (100°C). Keep away from children.

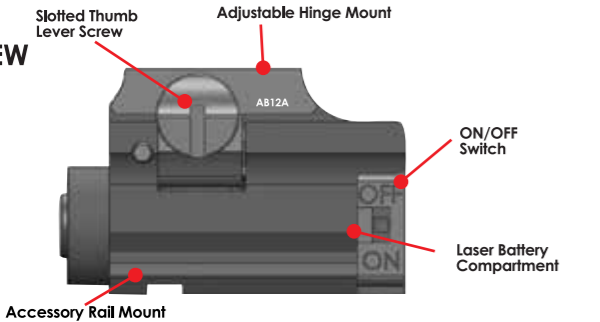
USE ONLY THOSE BATTERIES SPECIFICALLY RECOMMENDED FOR USE IN THIS PRODUCT.

OVERVIEW

TOP VIEW

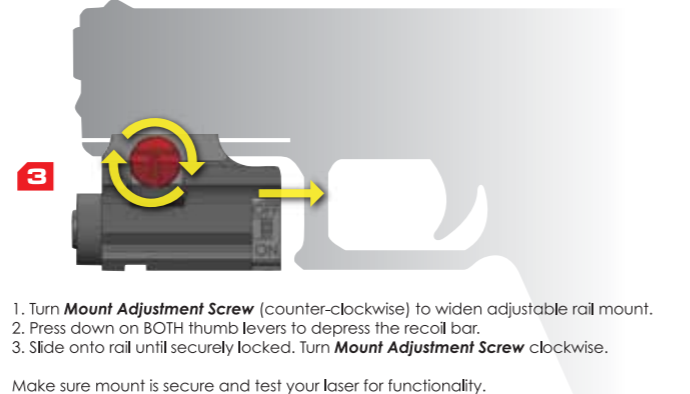
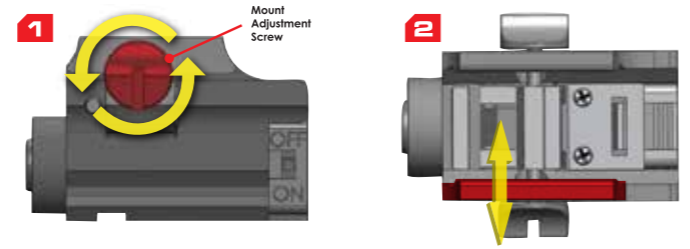


SIDE VIEW



MOUNTING INSTRUCTIONS

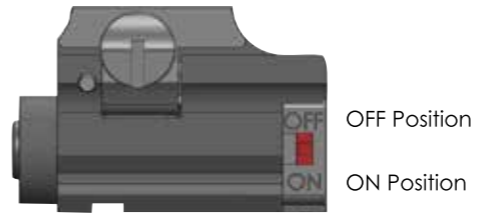
CAUTION: Make sure that the firearm has the safety on and is unloaded to avoid misfiring.



OPERATING INSTRUCTIONS

RMLSR uses a rear-positioned ON/OFF switch to activate the red laser sight. A pressure switch is also included for remote operation of the laser.

To activate laser, move power switch from OFF to ON position. (Power Switch is on the same side as the Slotted Thumb Lever Screw).



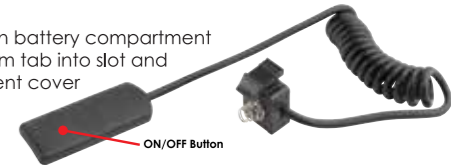
BATTERY INSTALLATION

Always remove unit from firearm to change batteries or to perform any maintenance.

- To open battery compartment, depress lock on top of battery compartment cover and remove.
- Remove old battery and dispose of properly. Insert new battery negative end (-) first, as shown. Light uses 1 CR-1/3N battery.
- Reattach battery compartment cover by inserting bottom tab into slot and pressing the compartment cover until it locks into place.

PRESSURE SWITCH

- To install pressure switch, depress lock on top of battery compartment cover and remove.
- Reattach pressure switch battery compartment cover by inserting bottom tab into slot and pressing the compartment cover until it locks into place.



To activate the red laser sight using the pressure switch, simply press the pressure switch button. Note: Pressure switch works using momentary operation. Laser will only activate when pressure is applied to the button.

LASER ADJUSTMENT

A small screwdriver is included to adjust the windage and elevation of the red laser sight.

IMPORTANT: Sighting is relative to distance (Laser sighted at one distance is not accurate at another)!

Windage Adjustment Screw is located on the side of the unit. With the screwdriver, turn screw clockwise or counter-clockwise to adjust windage.

Elevation Adjustment Screw is located on the bottom of the unit. With the screwdriver, turn screw clockwise or counter-clockwise to adjust elevation.

