

TORK®

SPECIFICATION SHEET

TPX100/TPX100S Low Voltage Pool and Spa Transformer

LOW VOLTAGE TRANSFORMER DESIGNED TO SUPPLY
12VAC, 13VAC TO UNDERWATER POOL AND SPA LIGHTS

APPLICATIONS

- Led pool and spa lights
- Submersible fixtures
- Landscape lighting
- Decorative lighting
- Garden Lights

FEATURES

- Built-in circuit protection will disconnect power to the transformer in case of defect or overload
- Meets NEC Article 680.23 and any applicable local codes

SPECIFICATIONS

- **Voltage:** 120VAC; 60Hz
- **Output:** 12V, 13V
- **Watts:** 100W
- **Exiting Current:** W/ no load - Max 150mA
W/full load - Max 1250mA
- **Operating Temperature:** 14°F to 113°F (-10°C to 45°C).
- **Storage Temperature:** -4°F to 140°F (-20°C to 60°C).
- **Temperature Rise:** 80°C w/ max current and voltage and respects to an ambient temp. of 25°C
- **Knockouts:** 1/2" and 3/4"
- **TPX100 Material:** Cold Rolled Steel with Powder Coat Finish
- **TPX100S Material:** Stainless Steel

REGULATORY LISTINGS

- cCSAus

LIMITED WARRANTY

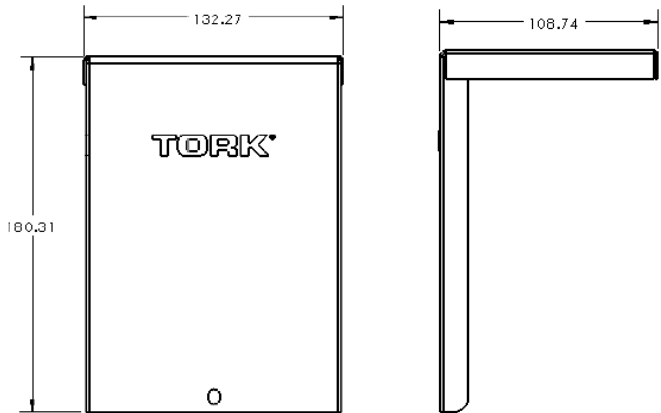
- 1- year manufacturer's warranty

Project Info:	Type:
Job Ref:	Catalog Number:
Approvals:	Date:
Item Number:	UPC Code:



TPX100 / TPX100S

DIMENSIONS



WIRING DIAGRAM

