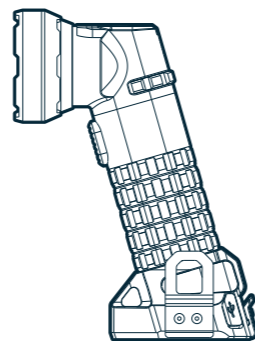


NEBO®

LUXTREME® SL25R

LUXTREME SL25R

Our Luxtreme SL line of spotlights offer extraordinary beam distance and close range flood pattern in an ergonomic and rugged design.



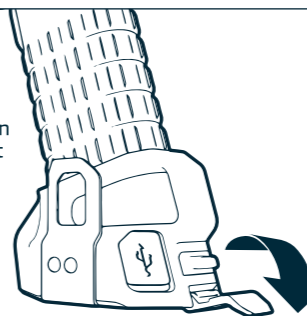
MODES	LUMENS	HOURS	METERS
SPOT	500	2	400
FLOOD	300	3.5	25
RED FLOOD	30	6	12

CONTINUOUS RUN WITH USB-C INPUT

1/4 Mile Beam Distance • Mode Select Dial • USB Rechargeable • Smart Power Control • Magnetic Base • Belt Clip • Red & White COB • Tripod Mount • IP67 Waterproof

MOVE BATTERY TO COMPARTMENT ONE BEFORE OPERATION!

This unit ships with the battery in the Spare Battery Compartment (Compartment 2). Move the battery to the Main Battery Compartment (Compartment 1) before operation.

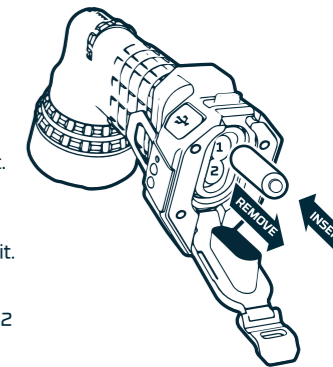


BATTERY COVER

To remove the battery, unlatch the Battery Cover.

BATTERY

This unit has two battery compartments. The **Main Battery Compartment** (Compartment 1) is located towards the back of the unit. The **Spare Battery Compartment** (Compartment 2) is located on the trigger side of the unit.



Before operation, move the battery from Compartment 2 to Compartment 1.

This product is guaranteed against all defects in workmanship and materials for the original owner for one year from the date of purchase.

Alliance Consumer Group
5650 Alliance Gateway Freeway
Fort Worth, TX 76177
800.255.6061
Made in China.



For more information, detailed video instructions, and warranty registration, visit NEBOLIGHTS.com.

PRODUCT GUARANTEE

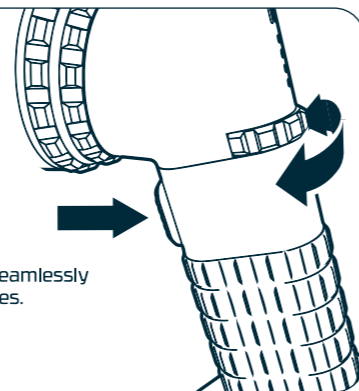
If you experience a problem, please do not return to your local store. Please contact our Customer Service team at 800-255-6061 or www.nebotools.com/contact.

OPERATION

Rotate the Mode Select Dial to cycle through light modes: **Off > Red COB > White COB > Spot**

Press the Trigger Button to turn the unit **On**. Press again to turn **Off**.

Smart Power Control (SPC) seamlessly transitions through light modes.

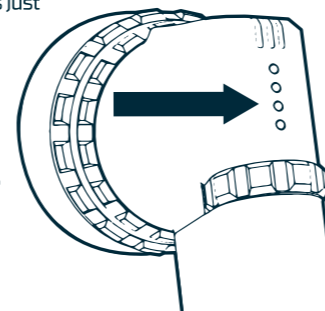


POWER INDICATOR

This product uses 4 LED lights just above the Mode Select Dial.

100% battery: 3 green, 1 red
75% battery: 2 green, 1 red
50% battery: 1 green, 1 red
25% battery: 1 red

Press the trigger button while Mode Select Dial is in the **Off** position to show battery life.

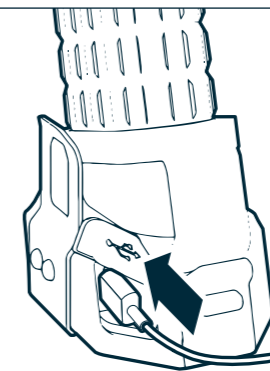


CHARGING

Use the included charging cable to recharge the Luxtreme SL.

The last indicator light will flash when the unit is charging.

When charging is complete, all indicators will light continuously.



BELT CLIP

The Belt Clip is designed so that it can be mounted on either side of the base.

Simply screw the Belt Clip in the desired position.

